

Vernier Calipers-Stainless Steel

- Offers outside, inside, step and depth measurement
- Hardened stainless steel construction
- Satin chrome finish

- Supplied with case
- .001"/.02mm Reading



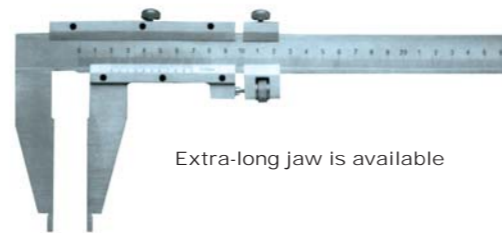
Model No.			Range	Model No.			Range
Lock Screw	Thumb Lock	Fine Adjust		Lock Screw	Thumb Lock	Fine Adjust	
CVS-6	CVS-6-T		6"/150mm	CVS-150	CVS-150-T	CVS-150-F	150mm/6"
CVS-8	CVS-8-T	CVS-8-F	8"/200mm	CVS-200	CVS-200-T	CVS-200-F	200mm/8"
CVS-12		CVS-12-F	12"/300mm	CVS-300			300mm/12"

* 0.05mm reading is available

Heavy-duty Vernier Calipers

Features:

- Made of hardened stainless steel throughout, ground and lapped for accuracy
- Satin chrome finish
- Longer jaws permit greater accessibility
- Easy-to-read, clear, crisp, black engraved graduations
- Adjustable vernier plates
- Reading: 0.001" / 0.02mm



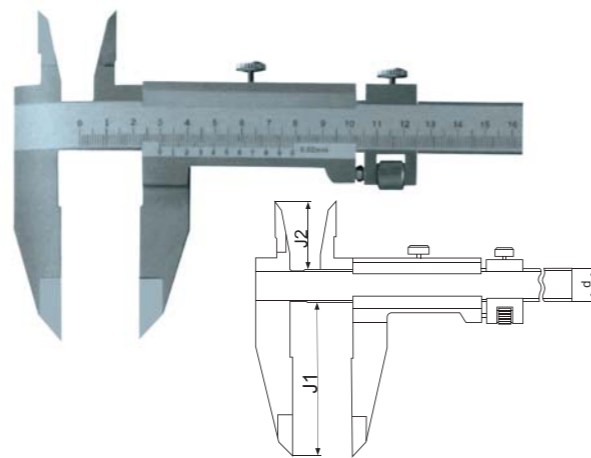
Extra-long jaw is available

Model No.		Range	Jaw Length	Model No.		Range	Jaw Length
Stainless Steel	Carbon Steel			Stainless Steel	Carbon Steel		
CVS-18	CV-18	18"/450mm	4"	CVSM-450	CVM-450	450mm/18"	100mm
CVS-24	CV-24	24"/600mm	4"	CVSM-600	CVM-600	600mm/24"	100mm
CVS-40	CV-40	40"/1000mm	5"	CVSM-1000	CVM-1000	1000mm/40"	125mm
CVS-60	CV-60	60"/1500mm	6"	CVSM-1500	CVM-1500	1500mm/60"	150mm
CVS-80	CV-80	80"/2000mm	8"	CVSM-2000	CVM-2000	2000mm/80"	200mm

Mono-Block Vernier Calipers

Features:

- Mono-block vernier
- Made of stainless steel
- Upper jaws and lower jaws can all be used to measure the inside dimension of items
- Reading: 0.001" / 0.02mm



Model No.	Range in/mm	Model No.	Range mm/in	J1 (mm)	J2 (mm)
CVSB-20	20/500	CVSBM-500	500/20	100	40
CVSB-24	24/600	CVSBM-600	600/24	100	40
CVSB-40	40/1000	CVSBM-1000	1000/40	150	46

Mono-Block Vernier Depth Gages

Features: • Mono-block vernier • Made of stainless steel • Reading: 0.001" / 0.02mm

Inch			Metric		
Model No.	Range	Base	Model No.	Range	Base
CVDP-6S	0-6"	4"	CVDP-150S	0-150mm	100mm
CVDP-8S	0-8"	4"	CVDP-200S	0-200mm	100mm
CVDP-12S	0-12"	4"	CVDP-300S	0-300mm	100mm

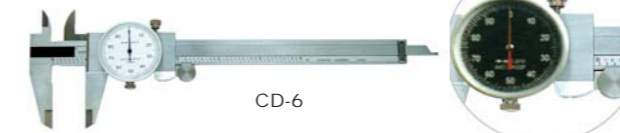


CVDP-200S

Dial Caliper (Stainless Steel)

Function: 4-Purposes

- 4way measurement for outside, inside, depth and step measurement
- Covered rack prevents dust and dirt damage
- Made of hardened stainless steel
- Measuring faces ground and micro lapped for accuracy
- Thumb roller
- Rotating Bevel and Lock screw for zeroing
- Beam engraved with clear black lines
- Range per revolution: Inch - .100" Metric -2mm
- Graduations: Inch - .001" Metric -.02mm



CD-6

Black Face

Graduation: 0.02mm			Graduation: 0.001"		
Model No.	Range(mm)	Accuracy	Model No.	Range	Accuracy
CDM-100	0-100	± 0.02mm	CD-4	0-4"	± 0.001"
CDM-150	0-150	± 0.03mm	CD-6	0-6"	± 0.0012"
CDM-200	0-200	± 0.03mm	CD-8	0-8"	± 0.0012"
CDM-300	0-300	± 0.04mm	CD-12	0-12"	± 0.002"

* 0.01mm graduation is available

Tesa Style Dial Caliper

- Graduation: Inch .001", Metric 0.02mm
- Range per revolution: Inch - .100" Metric -2mm
- Covered rack for longer caliper life
- Made of hardened stainless steel
- Measuring faces hardened ground and lapped



CDT-6

Model No.	Range
CDT-6	0-6"
CDT-150	0-150mm

Inch/Metric Combination Dial Caliper

Features:

- Dial graduated in both inch (black dial) and metric (red dial)
- Separate hands for inch and metric measurements
- Range per revolution: Inch - .100" Metric -2mm
- Graduations: Inch - .001" Metric -.02mm
- Made of hardened stainless steel



CDIM-6

Model No.	Outside Dial	Inside Dial
CDIM-6	0-6"	0-150mm
CDMI-6	0-150mm	0-6"
CDIM-8	0-8"	0-200mm
CDMI-8	0-200mm	0-8"
CDIM-12	0-12"	0-300mm
CDMI-12	0-300mm	0-12"

Heavy Duty Dial Caliper



CDH-24

Features:

- Provides highly repeatable inside measurements
- Get readings of inside dimensions directly
- The upper row graduations for inside
- The lower row graduations for outside
- With depth measuring bar
- With wooden case
- Graduations: Inch - .001" Metric -.02mm

Metric

Model No.	Range	Accuracy (mm)
CDMH-450	0-450mm	>200-300 ± 0.04
CDMH-600	0-600mm	>600-1000 ± 0.07
CDMH-1000	0-1000mm	

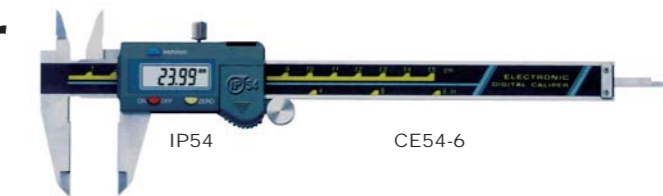
Inch

Model No.	Range	Accuracy
CDH-18	0-18"	>12"-24" ± 0.002"
CDH-24	0-24"	>24"-40" ± 0.003"
CDH-40	0-40"	

IP54, IP67 Water Resistant Digital Calipers

Features:

- Fully protected against the penetration of liquids and Antimagnetic
- Ip67 Prevent dust, spraying water or oil from entering the caliper through effective encapsulation of the main parts
- Auto power off
- Zero setting at any position
- Inch/mm conversion at any position
- Four-way measurement



IP54

CE54-6



IP67

CE67-6

Model No. IP54	Model No. IP67	Range	Resolution	Accuracy
CE54-6	CE67-6	150mm/6"	0.01mm/0.0005"	± 0.02mm
CE54-8	CE67-8	200mm/8"	0.01mm/0.0005"	± 0.02mm
CE54-12	CE67-12	300mm/12"	0.01mm/0.0005"	± 0.03mm